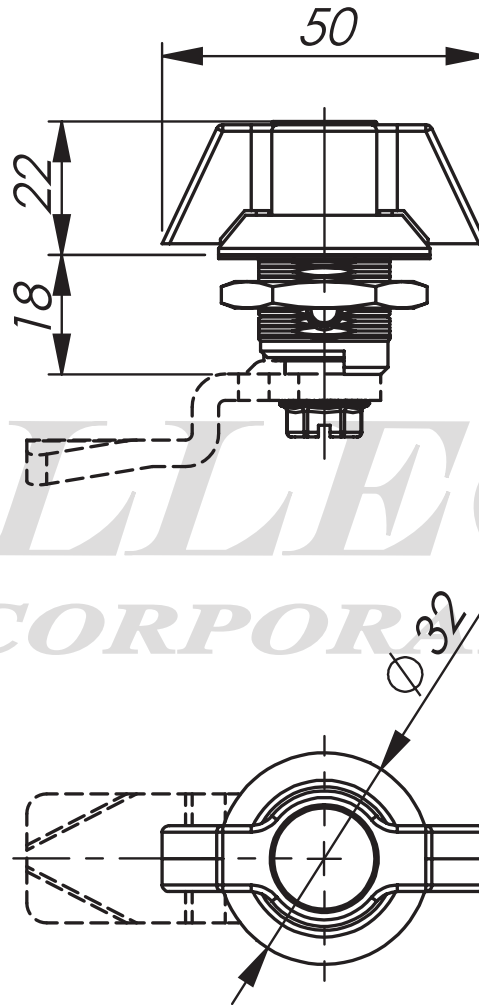




ALLEGIS
CORPORATION



<i>www.ALLEGISCORP.com</i> <i>1-866-378-7550</i>		MATERIAL / FINISH : Acid-proof stainless steel (316)	
REV. : 1 : 1	DATE : 1-10-2013	DESCRIPTION : Wing-Handle Quarter-turn	DRAWING NO. : 249042-8